

REFERENCE 1200s 12" WOOFER – TECHNICAL DATA

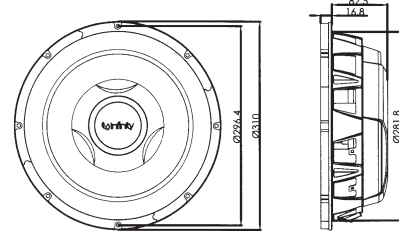


THIELE-SMALL PARAMETERS

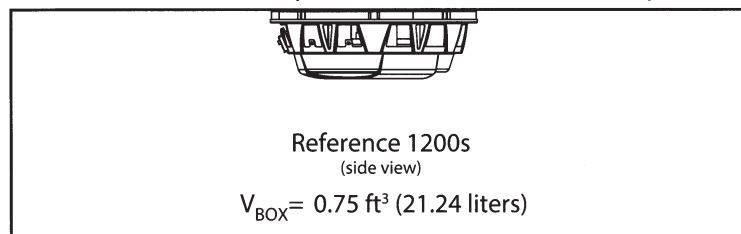
	2Ω	4Ω
VOICE-COIL DC RESISTANCE: R_{EVC} (OHMS)	1.84	4.16
VOICE-COIL INDUCTANCE @ 1kHz: L_{EVC} (MH)	0.65	0.71
DRIVER RADIATING AREA: S_D (IN ²)	77.92	77.92
S_D (CM ²)	502.73	502.73
MOTOR FORCE FACTOR: B_L (TM)	9.02	12.87
COMPLIANCE VOLUME: V_{AS} (FT ³)	3.44	3.45
V_{AS} (LITERS)	97.43	97.56
SUSPENSION COMPLIANCE: C_{MS} (μM/N)	274.00	275.00
MOVING MASS, AIR LOAD: M_{MS} (GRAMS)	177.46	177.02
FREE-AIR RESONANCE: F_S (Hz)	22.80	22.82
MECHANICAL Q: Q_{MS}	6.24	3.57
ELECTRICAL Q: Q_{ES}	0.57	0.64
TOTAL Q: Q_{TS}	0.53	0.54
MAGNETIC-GAP HEIGHT: H_{AG} (IN)	0.31	0.31
H_{AG} (MM)	8.00	8.00
VOICE-COIL HEIGHT: H_{VC} (IN)	0.92	0.92
H_{VC} (MM)	23.30	23.30
MAXIMUM EXCURSION: X_{MAX} (IN)	0.30	0.30
X_{MAX} (MM)	7.65	7.65

SPECIFICATIONS

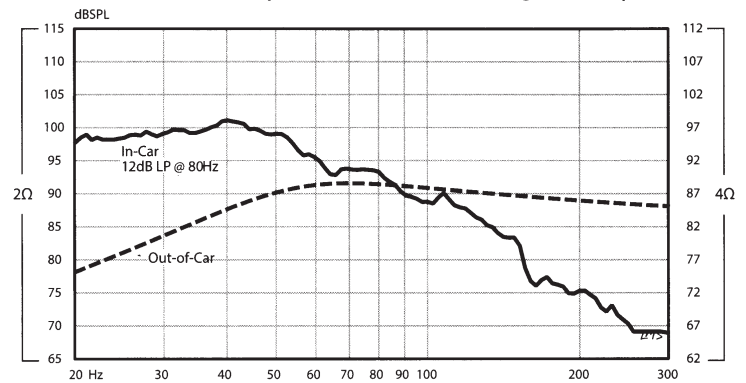
DIAMETER:	12" (305MM)
SENSITIVITY (2.83V @ 1m):	92dB
POWER HANDLING:	250W _{RMS} (1000W _{PEAK})
FREQUENCY RESPONSE:	27Hz ~ 175Hz
NOMINAL IMPEDANCE:	2 OR 4 OHMS
VOICE-COIL DIAMETER:	2" (51MM)
DIMENSIONS:	



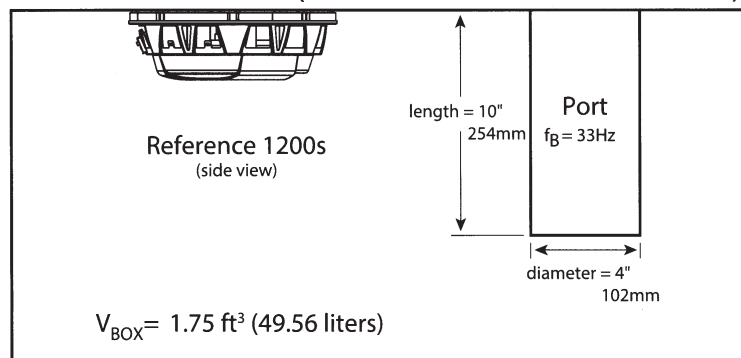
SEALED-BOX VOLUME (INCLUDES DRIVER DISPLACEMENT)



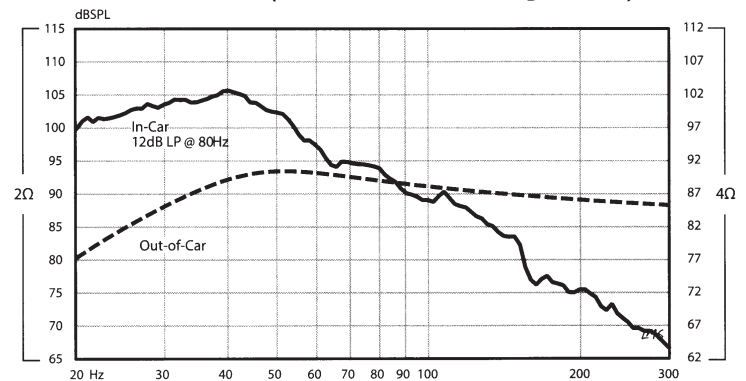
SEALED ENCLOSURE (FREQUENCY RESPONSE @ 2.83V)



VENTED-BOX VOLUME (INCLUDES DRIVER/PORT DISPLACEMENTS)



VENTED ENCLOSURE (FREQUENCY RESPONSE @ 2.83V)



BAND-PASS-BOX VOLUME (INCLUDES DRIVER/PORT DISPLACEMENTS) BAND-PASS ENCLOSURE (FREQUENCY RESPONSE @ 2.83V)

